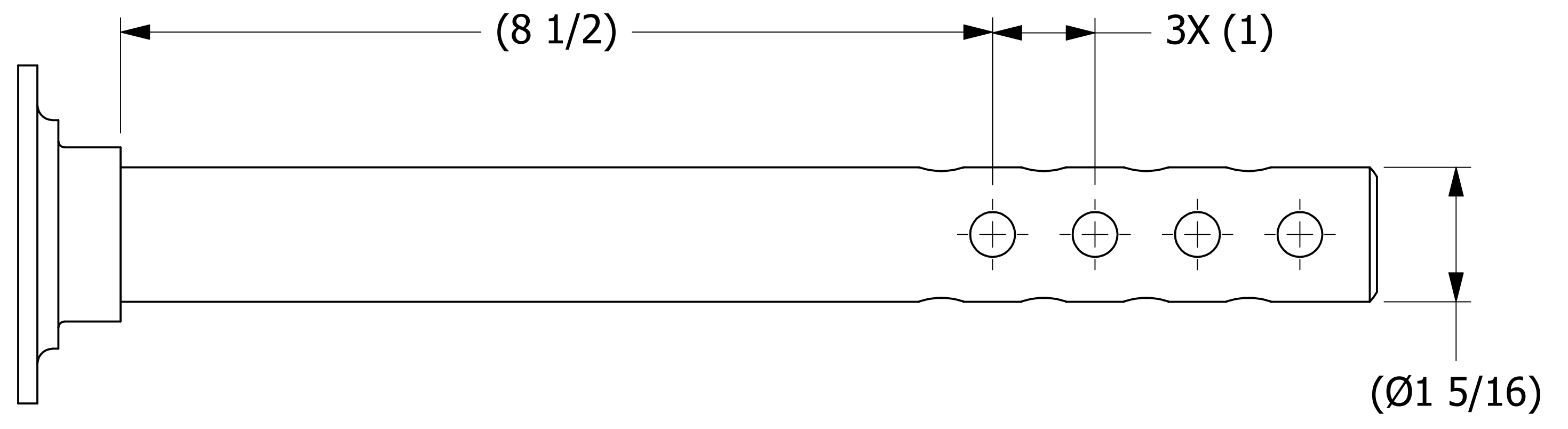
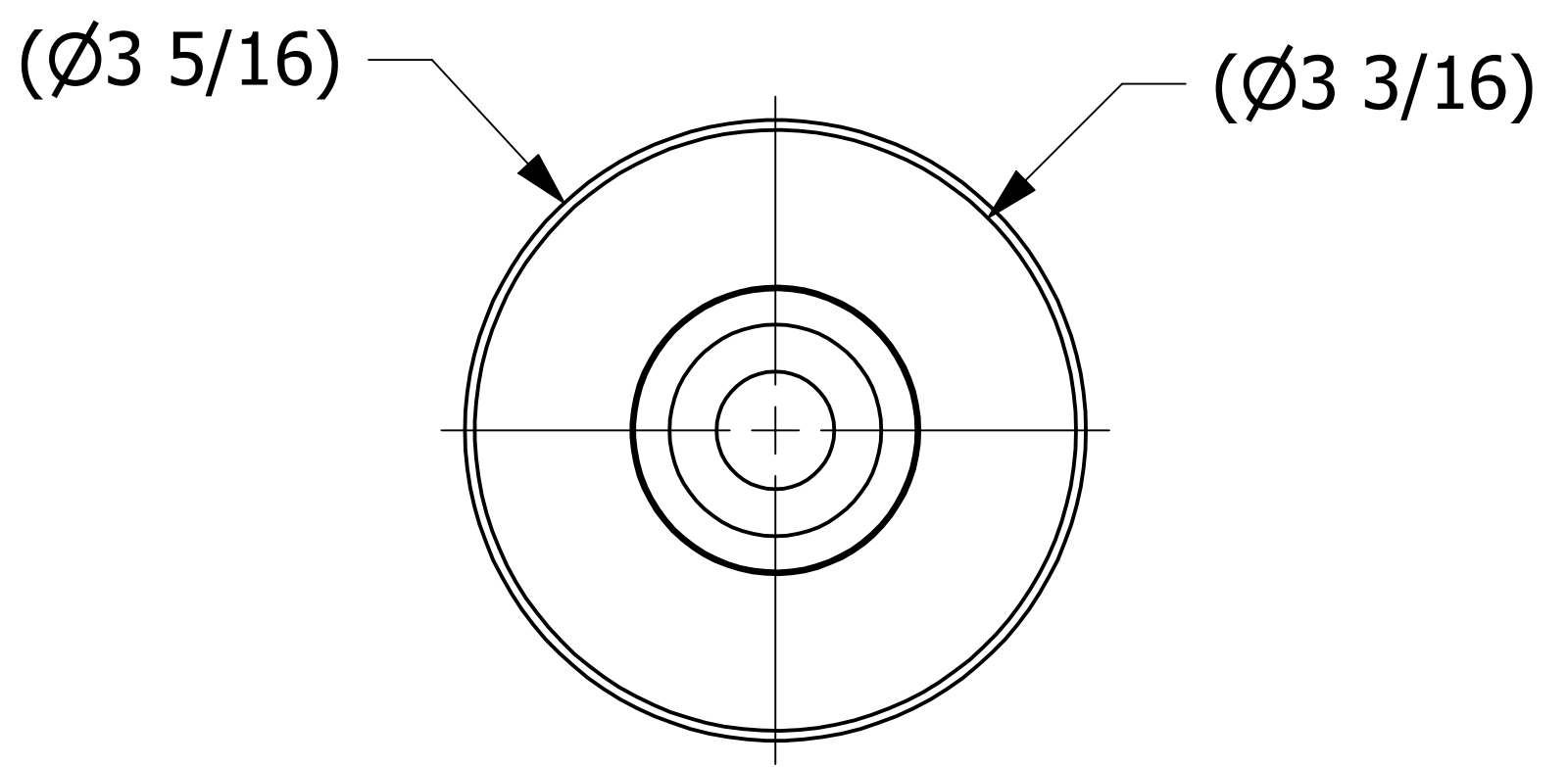


SALES DRAWING SALES DRAWING

SALES DRAWING SALES DRAWING



NOTE:
AAR APPROVAL # E-019008.

REV	BY	DATE	DESCRIPTION
C	TAK	5-19-15	UPDATED HSSPRD33 VENT HOLE LOCATION
B	WEB	11-5-13	UPDATED TITLE BLOCK, NOTES, AND DIMS
A	ACC	11-15-04	RELEASED FOR PRODUCTION

<small>UNLESS OTHERWISE SPECIFIED DIMENSIONAL TOLERANCES</small> FRACTIONAL: ±1/16 X.XX: ±.03 X.XXX: ±.015 ANGULAR: ±1° <small>DEBURR ALL SHARP EDGES. ALL MACHINED SURFACES TO HAVE A 125 RMS FINISH UNLESS NOTED OTHERWISE.</small> <small>THIRD ANGLE PROJECTION</small>	DRAWN BY:	ACC
	CHECKED BY:	
	PROTOTYPE BY:	ACC
	PROTOTYPE DATE:	11/15/2004
	APPROVED FOR PRODUCTION BY:	
	PRODUCTION DATE:	

SALCO PRODUCTS, INC.		
PART NAME: SURGE PROTECTOR		
MATERIAL: SALCO PE		
PROJECT #: 030708	SHEET #: 1 OF 1	SCALE: 1:1
DRAWING #: D19797	PART #: HSSPRD33MT	

THIS PRINT, PROPERTY OF SALCO PRODUCTS INC. CONTAINS PROPRIETARY INFORMATION AND MUST NOT BE COPIED, REPRODUCED, OR USED DETRIMENTALLY TO OUR INTEREST.